

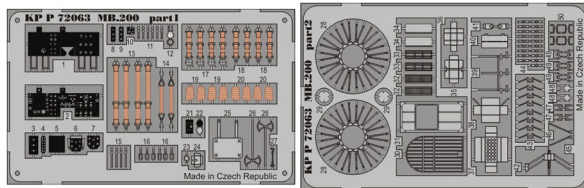
# KP MODELS

1/72

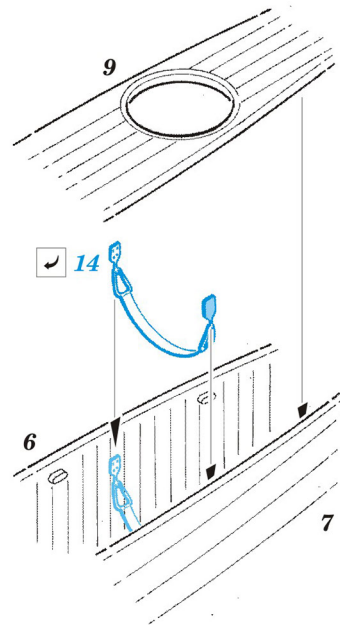
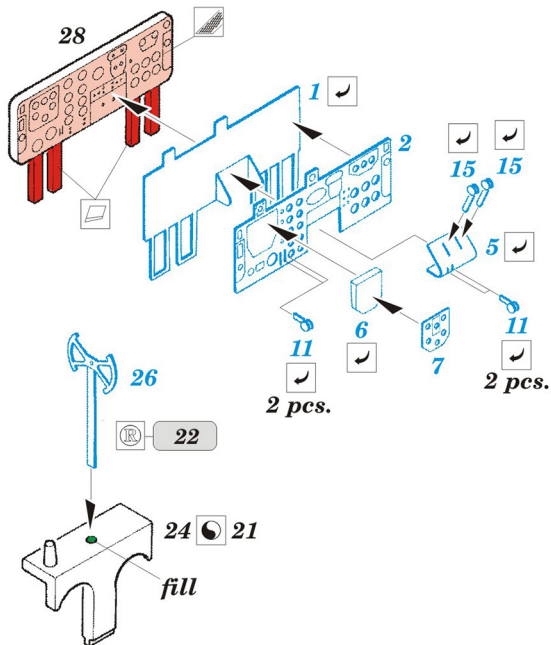
P 72 063

Photo etched parts  
for KP MODELS 1/72 kit

## MB.200



- |                     |                     |       |
|---------------------|---------------------|-------|
| SYMETRICAL ASSEMBLY | BEND                | GRIND |
| REMOVE              | OPTION              |       |
| DRILL HOLE          | REPLACE             |       |
| PHOTO-ETCHED PARTS  | PARTS TO BE REMOVED |       |
| ORIGINAL KIT PARTS  | FILL                |       |



This product contains metal detail parts for upgrading scale plastic models. When selecting this set make sure that it is for the kit mentioned on the label as these sets are made specifically for that kit. When upgrading the model some cutting or corrections may be necessary for parts to fit accurately. **WARNING!** This set contains small and sharp parts. Work carefully in a ventilated and well-lit room. Safety glasses are recommended. This products is not suitable for children 14 years or younger.

